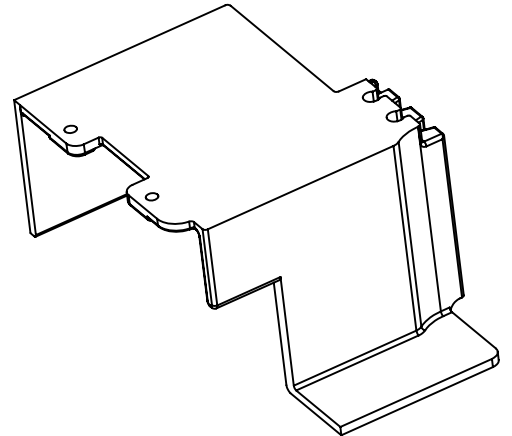
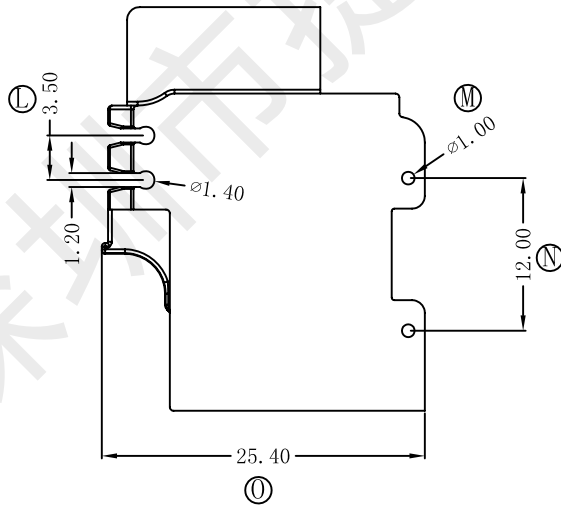
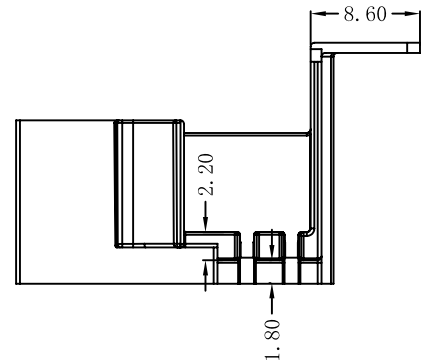
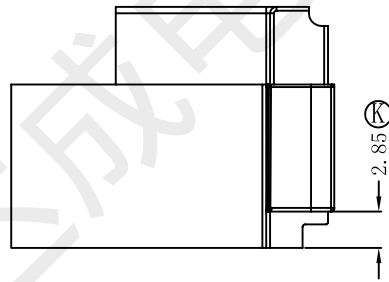
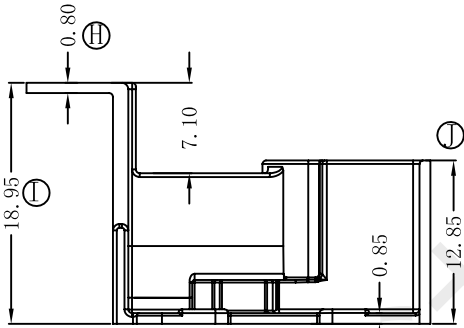
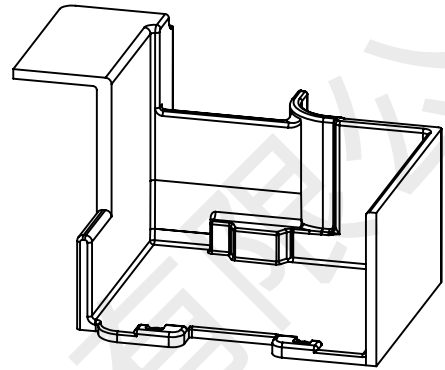
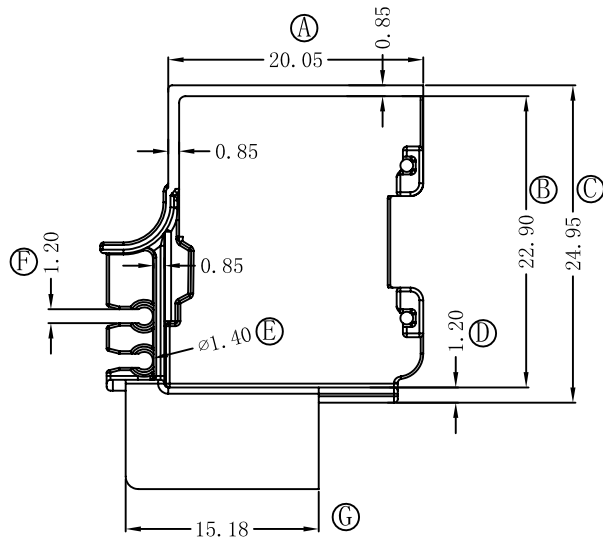


型号

PQ-2223-1



REV	DATE	REVISIONS REC
1	23-02-22	底板及侧壁加厚到0.85MM

深圳市捷达成电子有限公司

SHENZHEN JIE DA CHENG ELECTRONICS CO.,LTD.

TEL:0755-27317730 FAX:0755-27317731

ANGLE:
+/-1°

MODEL NAME:
PQ-2223-1 COVER

UNIT:
MM

UL REC:
UL 94V-0

BOBBIN MATERIAL:
PBT 5630F

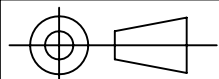
SCALE:
4/1

PIN TENSION LOAD:

PIN MATERIAL:

DRAFTER L.R.J

TOLERANCE
0<L<4 ±0.1
4<L<16 ±0.2
16<L<50 ±0.3
PIN PITCH ±0.2



DATE:
2023-02-22

DRAWING NO:
PQ-2223-1

REV:
1.0

CHECKER Y.F.